

INSTRUCTION MANUAL

Rotary Dimmer Switch

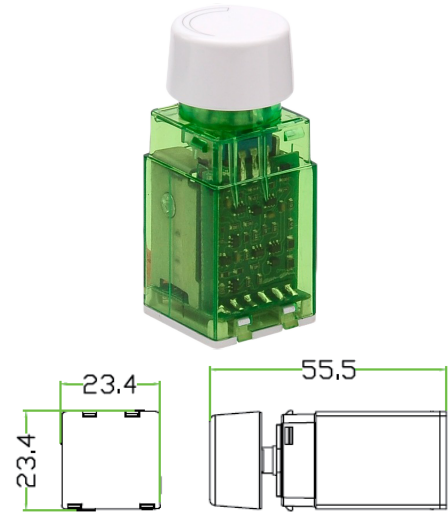
RD350VA

ELCOP



Technical Data

Operating Voltage	220-240 V~
Frequency	50 Hz
Maximum Load	350 W
Minimum Load	10 W
Dimming Mode	Trailing Edge
Control Method	Two way
Dimmable LED lamps	10-150W
LV Halogen lighting with electronic transformers	10-350VA
Incandescent lighting, MV Halogen lamps	10-350VA



Features and Installation

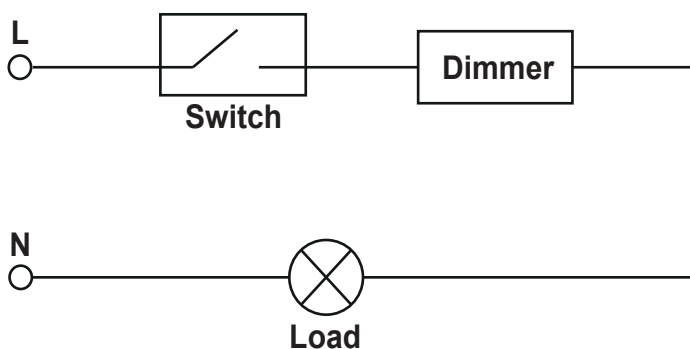
The installation must be carried out by an electrician.

PLEASE READ INSTRUCTION BEFORE COMMENCING INSTALLATION AND RETAIN FOR FUTURE REFERENCES. Electrical products can cause death or injury, or damage to property. If in any doubt about the installation or use of this product, consult a competent electrician.

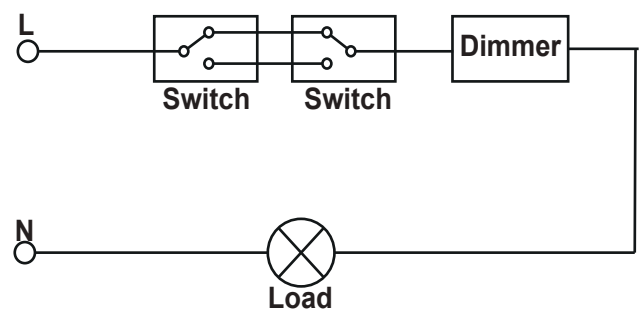
1. Features

- Suitable for both retrofit and new installations.
- Live Only two wire connection - no neutral required.
- Soft-start for lamp and driver life.
- Inbuilt Overload, short-circuit, over current, over temperature protection.

2. Wiring



One-Way Wiring Diagram



Two-way Wiring Diagram

NOTE:

- The LED dimmer series are designed for One-Way or Two-Way operation as above diagrams.
- More than one dimmers cannot be connected in parallel or series to control the same load from two different locations.
- Dimmer Mechanism wiring is NOT polarity sensitive.