

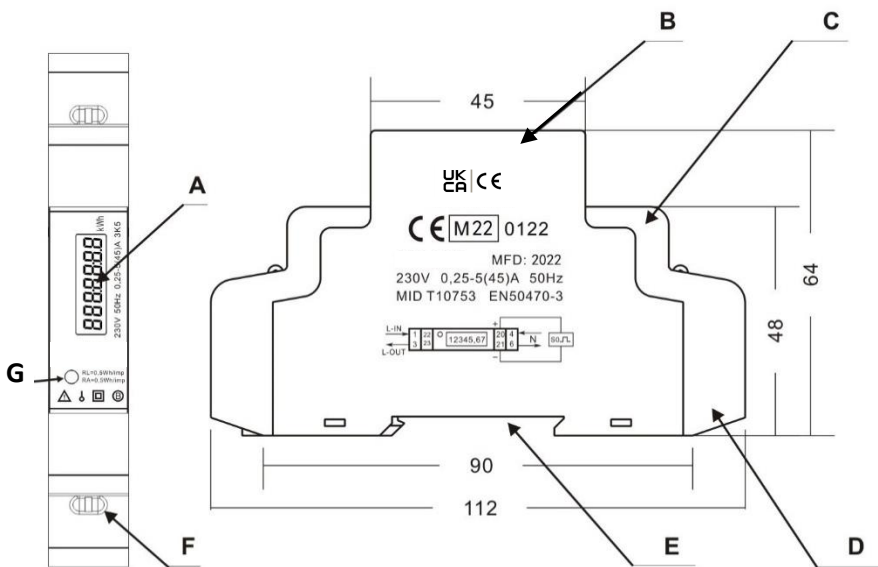
DRS-205A KWH METER

Single Phase kWh Meter

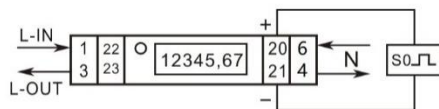
Single phase energy meter suitable for domestic , commercial and industrial single phase applications up to 45A direct connected.

Single module, din rail mounting, compact design with mechanical register.

Part Number	KWH1 DRS-205A
Meter type	Analogue
Maximum rated current (Imax)	45A
Nominal Voltage(Un)	230V/ 50Hz
IP RATING Terminals	IP20 EN 60529
Mounting	35mm top hat din rail
Torque (switch terminals)	0.8Nm
Maximum cable	10mm ²
Complies with	EN 50470-3



- A Display
- B Casing
- C Terminals
- D Terminal cover
- E Din rail mounting
- F Terminal cover security seal
- G RED LED Consumption indicator



Connections

Important: Torque all terminals!

DRS-205A KWH METER

TECHNICAL

1 Specifications:

Meter type	DRS-205A	
Operational voltage	195-253V AC	
Insulation capabilities:		
- AC voltage withstand	4KV for 1 minute	
- Impulse voltage withstand	6KV – 1.2 μ S waveform	
Basic current (I _b)	5A	
Maximum rated current (I _{max})	45A	
Operational current range	0.4% I _b - I _{max}	
Over current withstand	30I _{max} for 0.01s	
Operational frequency range	50Hz \pm 10%	
Internal power consumption	\leq 2W /phase- \leq 10VA/phase	
Test output flash rate (RED LED)	1000/2000imp/kWh	
Pulse output rate (pins 20 & 21)	1000/2000imp/kWh	
Pulse Output	Passive transistor 5-27V DC to 20 (anode) and the signal wire (S) to 21 (cathode).	
Pulse Output maximum current	27mA	
Consumption indicator (RED LED)	Flash on load	

2 Performance criteria:

Operating humidity	\leq 75%
Storage humidity	\leq 95%
Accuracy class	B
IP Rating product	IP51
Insulating encased meter of protective class	II

3 Dimensions

Height	112 mm
Width	17.5 mm
Depth	64 mm
Weight	0.80 g

4 Basic errors:

0.05I _b	Cos ϕ = 1	\pm 1.5%
0.1I _b	Cos ϕ = 0.5L	\pm 1.5%
	Cos ϕ = 0.8C	\pm 1.5%
0.1I _b - I _{max}	Cos ϕ = 1	\pm 1.0%
0.2I _b - I _{max}	Cos ϕ = 0.5L	\pm 1.0%
	Cos ϕ = 0.8C	\pm 1.0%

5 Environment

WASTE ELECTRICAL PRODUCTS SHOULD NOT BE DISPOSED OF IN HOUSEHOLD WASTE. CONTACT YOUR RETAILER OR LOCAL AUTHORITY FOR RECYCLING INFORMATION.

